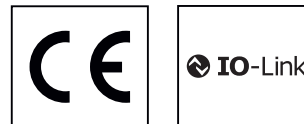
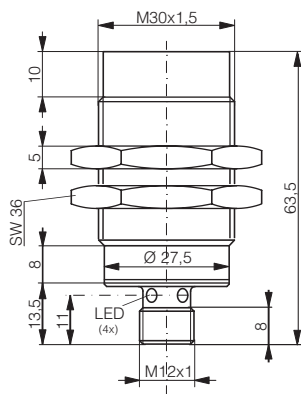


HOUSING	READ/WRITE DISTANCE	<ul style="list-style-type: none"> ✓ M30 Metal threaded housing ✓ Sensing face of PBTP ✓ Insensible to dirt ✓ IO-Link V1.1 	
M30	60 mm*	<ul style="list-style-type: none"> ✓ 2 x PNP output in SIO mode configurable ✓ RWM reconfigurable via a Master Tag 	



* Please refer to table page 8

GENERAL DATA		INTERFACE	
Carrier frequency	13.56 MHz	Data transfer rate	38 400 baud
Compatible standard	ISO 15693	LED green on	RWM live
Maximum transmission speed	26.5 kbit/s	LED green blinking	IO-Link communication
Read-write distance max.	60 mm with RTP-0502-022	LED yellow on	Transponder detected
		LED yellow blinking	Transponder + IO-Link communication
		IO-Link	✓

ELECTRICAL DATA		MECHANICAL DATA	
Supply voltage range (U _b)	11...32 VDC	Protection degree	IP67
No-load supply current (field off)	20 mA	Ambient temperature range TA*	-25...+80 °C
Max. current consumption (no load)	50 mA	Storage temperature range TS**	-25...+80 °C
Polling current	30 mA	Sensing face material	PBTP
Short-circuit protection	✓	Housing material	Chrome-plated brass
Voltage reversal protection	✓	Connector type	M12 4-pin
Max. output current	≤ 200 mA	Weight (incl. nuts)	87 g

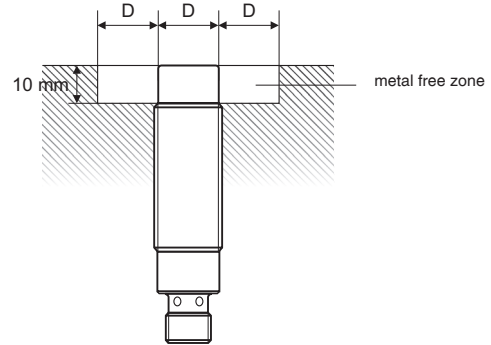
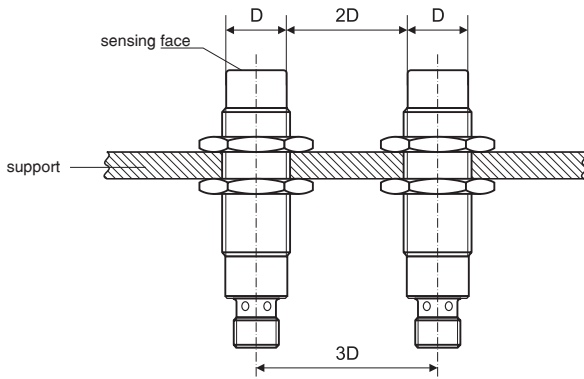
* Read/write operations possible

** Data retention and mechanical stability limit

MOUNTING RECOMMENDATIONS

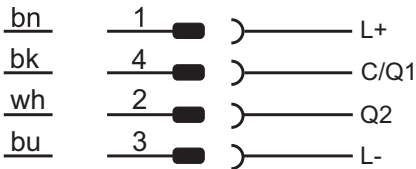
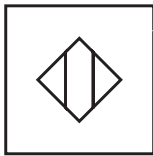
CLEARANCE

Read/write modules must not mutually influence each other. For this reason, a minimum distance of $2 \times D$ between the devices must be observed.

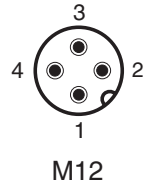


WIRING DIAGRAM

PIN ASSIGNMENT



PIN	SIGNAL	FUNCTION
1	L+	+24 V
2	Q2	DO (tag presence or data comparison)
3	L-	OV
4	C/Q1	SDCI/SIO (tag presence or data comparison)



IO-LINK CHARACTERISTICS

VALUE FOR RLS-1181-320

IO-Link Protocol	1.1
COM-Mode	COM2 (38.4 kBaud)
Min. cycle time	14.4 ms
Process data width in	8 bytes
Process data width out	9 bytes
Profile	Smart Sensor Profile
SIO-Mode support	Yes
Port type	A
Memory request for data management	41 bytes
Device ID	0xAB0200
Vendor ID	0x0156

CONFIGURATION PARAMETER (IO-LINK / SIO MODE)

Index	Sub Hex	Name	Access	Data Type	Value	Default
IDENTIFICATION						
10 _h		Vendor Name	R	char []	"Contrinex"	
11 _h		Vendor Text	R	char []	"www.contrinex.com"	
12 _h		Product Name	R	char []	"RLS-1301-320"	
13 _h		Product ID	R	char []	"00000000"	
14 _h		Product Text	R	char []	"IO-Link RFID reader"	
15 _h		Serial Number	R	char []	"00000001"	
17 _h		Firmware Revision	R	char []	"01.09.01"	
18 _h		Application Specific Tag	R/W	char []	<user string, 16 byte (variable length)>	<vendor specific>
READER PARAMETER PROCESS DATA						
40 _h	01 _h	Operating Mode	R/W	uint8	FF _h : Scan UID 00 _h : Scan User Data 01 _h : Read / Write Command	FF _h
	02 _h	Data Hold Time	R/W	uint8	FF _h : No Hold Time 00 _h : Hold Time 100 ms 01 _h : Hold Time 200 ms 02 _h : Hold Time 500 ms 03 _h : Hold Time 1000 ms 04 _h : Hold Time 2000 ms	FF _h
	03 _h	Scan Address	R/W	uint8	Address to scan	FF _h
READER PARAMETER SIO						
41 _h	01 _h	C/Q1 PIN SIO Operating Mode	R/W	uint8	FF _h : Presence Transponder 00 _h : Compare Data 01 _h : No SIO	FF _h
	02 _h	C/Q1 SIO Data to compare H	R/W	uint32	Comparison value Byte 7 to 4	FF _h , FF _h , FF _h , FF _h
	03 _h	C/Q1 SIO Data to compare L	R/W	uint32	Comparison value Byte 3 to 0	FF _h , FF _h , FF _h , FF _h
	04 _h	SIO Compare Data Address (C/Q1 & Q2)	R/W	uint8	Comparison address for C/Q1 and Q2 (A valid address must be chosen)	FF _h
	05 _h	Data Hold Time Output (C/Q1 & Q2)	R/W	uint8	FF _h : No Hold Time 00 _h : Hold Time 100 ms 01 _h : Hold Time 200 ms 02 _h : Hold Time 500 ms 03 _h : Hold Time 1000 ms 04 _h : Hold Time 2000 ms	FF _h
	06 _h	C/Q1 PIN SIO Polarity	R/W	uint8	FF _h : Output "close" if condition = true 00 _h : Output "open" if condition = true	FF _h
	07 _h	Q2 PIN SIO Operating Mode	R/W	uint8	FF _h : Presence Transponder 00 _h : Compare data (C/Q1 must be also in compare data) 01 _h : No SIO	FF _h
	08 _h	Q2 SIO Data to compare H	R/W	uint32	Comparison value Byte 7 to 4	FF _h , FF _h , FF _h , FF _h
	09 _h	Q2 SIO Data to compare L	R/W	uint32	Comparison value Byte 3 to 0	FF _h , FF _h , FF _h , FF _h
	0A _h	Q2 PIN SIO Polarity	R/W	uint8	FF _h : Output "close" if condition = true 00 _h : Output "open" if condition = true	FF _h

PROCESS DATA REPRESENTATION

PROCESS DATA MODE SCAN UID MODE

PROCESS DATA INPUT

Bitoffset	7	6	5	4	3	2	1	0
0			TAG	ANT	NB TAG			
1	UID 0							
2	UID 1							
3	UID 2							
4	UID 3							
5	UID 4							
6	UID 5							
7	UID 6							
8	UID 7							

TAG : 0 = No tag present in front of the RWM
1 = 1 tag or more present in front of the RWM

ANT : 0 = RF field off
1 = RF field on

NB TAG : Number of tag in front of the RWM

UID 0 : UID LSB

UID 7 : UID MSB

PROCESS DATA OUTPUT

Bitoffset	7	6	5	4	3	2	1	0
0				N_ANT	TAG NB			
1								
2								
3								
4								
5								
6								
7								
8								

N_ANT : 0 = Switch on RF field
1 = Switch off RF field

TAG NB : Index of tag to be printed in UID area (index from 0)

PROCESS DATA MODE SCAN USER DATA

PROCESS DATA INPUT

Bitoffset	7	6	5	4	3	2	1	0
0	RDY	ERR	TAG	ANT				EXT
1	Data 0 / Error Code							
2	Data 1							
3	Data 2							
4	Data 3							
5	Extended Data 4							
6	Extended Data 5							
7	Extended Data 6							
8	Extended Data 7							

RDY : 0 = No data available yet
1 = Memory scanned and data available

ERR : 0 = Memory scanned and no error
1 = Memory scanned but error;

TAG : 0 = No tag present in front of the RWM
1 = Tag present in front of the RWM

ANT : 0 = RF field off
1 = RF field on

EXT : 0 = 4 bytes data
1 = 8 bytes data

Data 0 : User data LSB / Error Code

Data 3 / 7 : User data MSB

PROCESS DATA OUTPUT

Bitoffset	7	6	5	4	3	2	1	0
0				N_ANT				
1								
2								
3								
4								
5								
6								
7								
8								

N_ANT : 0 = Switch on RF Field
1 = Switch off RF Field

PROCESS DATA MODE READ/WRITE

PROCESS DATA INPUT

Bitoffset

	7	6	5	4	3	2	1	0
0	RDY	ERR	TAG	ANT				EXT
1	Data 0 / Error Code							
2	Data 1							
3	Data 2							
4	Data 3							
5	Extended Data 4							
6	Extended Data 5							
7	Extended Data 6							
8	Extended Data 7							

RDY : 0 = No data available yet
1 = Command executed and data available

ERR : 0 = Command executed and no error
1 = Command executed but error

TAG : 0 = No tag present in front of the RWM
1 = Tag present in front of the RWM

ANT : 0 = RF field off
1 = RF field on

EXT : 0 = 4 bytes data
1 = 8 bytes data

Data 0 : Read data LSB / Error Code
Data 3 / 7 : Read data MSB

Error Code Definition

CommandNotSupported = 1,
FormatError = 2,
OptionNotSupported = 3,
CommandProblem = 5,
CommTagError = 6,
TagError = 15,
NoMemoryBloc = 16,
BlocProtected = 18,

PROCESS DATA OUTPUT

Bitoffset

	7	6	5	4	3	2	1	0
0	START			N_ANT		CMD		EXT
1	ADD							
2	Data 0							
3	Data 1							
4	Data 2							
5	Data 3							
6	Extended Data 4							
7	Extended Data 5							
8	Extended Data 6							
9	Extended Data 7							

START : 0 = Do not execute the command
1 = Execute the command

N_ANT : 0 = Switch on RF Field
1 = Switch off RF Field

CMD : 0 = No command
1 = Read
2 = Write

EXT : 0 = 4 bytes data
1 = 8 bytes data

ADD : Block address
Data 0 : Write data LSB
Data 3 / 7 : Write data MSB

SYSTEM COMMAND (idx 02_h)

Value hex	Value dec	Function
05 _h	5	ParamDownloadStore
80 _h	128	Device Reset
82 _h	130	Restore factory settings*

*always do a reset after the restore of factory settings

MASTER TAG CONFIGURATION

For the RLS-1301-320, the IO-Link mode or the SIO (standard I/O mode) can be configured via IO-Link or via a Master Tag.

For the configuration via a Master Tag, a transponder (called Master Tag) will contain all the data used for the configuration. The structure of the data are explained in the table on page 7.

There is a simple procedure to configure the RWM. Once all the data are written in the Master Tag, you need to put it in front of the RWM sensing face, to switch off the RWM power supply and to switch on again. The RWM will detect that it's a Master Tag and read all the data and configure the outputs accordingly.

On the Contrinex webpage (www.contrinex.com) it is possible to download a software to setup the Master Tag via a Contrinex USB RWM. This program is called "IO-Link Master Tag programmer".

SIO MODE POSSIBILITIES

If you use the RLS-1301-320 in a SIO mode, you will have two main possibilities:

1. Presence Transponder:
In this mode, the output will switch if a transponder is in the field of the RWM.
2. Compare Data:
In this mode, the output will switch if the data read in the defined block memory of the transponder matches with the data stocked in the RWM.

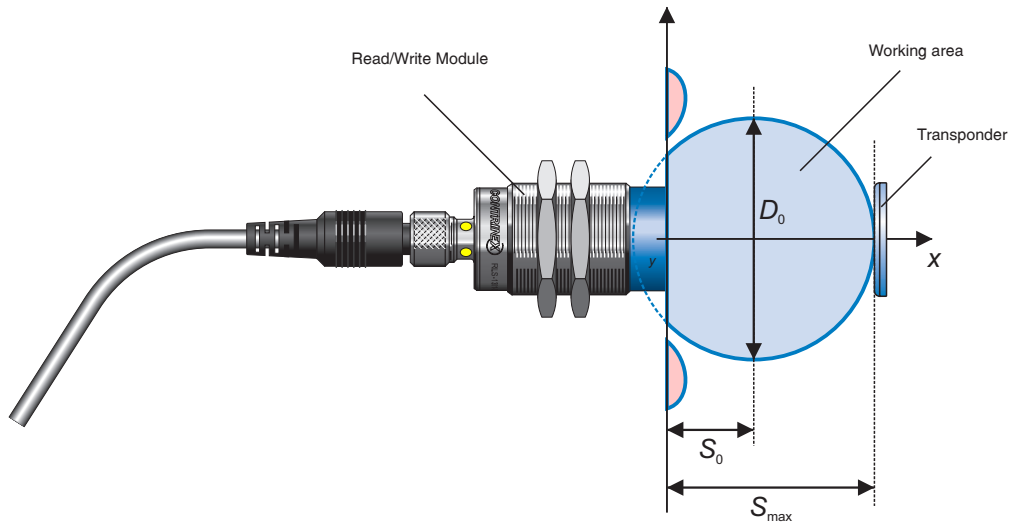
MASTER TAG

To build a Master Tag it's possible to use any ISO15693 chip with at least eight memory blocks with 32 bits each.

CONFIGURATION PARAMETER (IO-LINK / SIO MODE)							
Bloc + A1:H18	Byte	Offset	Name	Data Type	Value	Default	Comment
READER PARAMETER PROCESS DATA (IO-LINK MODE)							
0 _h	0 _h	0 _h	Operating Mode	uint8	FF _h : Scan UID 00 _h : Scan User Data 01 _h : Read / Write Command	FF _h	See process data organisation
0 _h	1 _h	1 _h	Data Hold Time	uint8	FF _h : No Hold Time 00 _h : Hold Time 100 ms 01 _h : Hold Time 200 ms 02 _h : Hold Time 500 ms 03 _h : Hold Time 1000 ms 04 _h : Hold Time 2000 ms	FF _h	
0 _h	2 _h	2 _h	Scan Address	uint8	Address to scan	FF _h	Addres to scan in user data
READER PARAMETER SIO (SIO MODE)							
0 _h	3 _h	3 _h	C/Q1 PIN SIO Operating Mode	uint8	FF _h : Presence TransponderS 00 _h : Compare Data 01 _h : No SIO	FF _h	
1 _h	3 _h ...0 _h	4 _h	C/Q1 SIO Data to compare H	uint32	Comparison value Byte 7 to 4	FF _h , FF _h , FF _h , FF _h	Ext. Data 7 Ext. Data 6 Ext. Data 5 Ext. Data 4
2 _h	3 _h ...0 _h	8 _h	C/Q1 SIO Data to compare L	uint32	Comparison value Byte 3 to 0	FF _h , FF _h , FF _h , FF _h	Data 3, Data 2, Data 1,Data 0
3 _h	0 _h	C _h	SIO Compare Data Address (C/Q1 & Q2)	uint8	Comparison address for C/Q1 and Q2 (A valid address must be chosen)	FF _h	
3 _h	1 _h	D _h	Data Hold Time Output (C/Q1 & Q2)	uint8	FF _h : No Hold Time 00 _h : Hold Time 100 ms 01 _h : Hold Time 200 ms 02 _h : Hold Time 500 ms 03 _h : Hold Time 1000 ms 04 _h : Hold Time 2000 ms	FF _h	
3 _h	2 _h	E _h	C/Q1 PIN SIO Polarity	uint8	FF _h : Output "close" if condition = true 00 _h : Output "open" if condition = true	FF _h	
3 _h	2 _h	F _h	Q2 PIN SIO Operating Mode	uint8	FF _h : Presence Transpondere 00 _h : Compare Data 01 _h : No SIO	FF _h	
4 _h	3 _h ...0 _h	10 _h	Q2 SIO Data to compare H	uint32	Comparison value Byte 7 to 4	FF _h , FF _h , FF _h , FF _h	Ext. Data 7 Ext. Data 6 Ext. Data 5 Ext. Data 4
5 _h	3 _h ...0 _h	14 _h	Q2 SIO Data to compare L	uint32	Comparison value Byte 3 to 0	FF _h , FF _h , FF _h , FF _h	Data 3, Data 2, Data 1,Data 0
6 _h	0 _h	18 _h	Q2 PIN SIO Polarity	uint8	FF _h : Output "close" if condition = true 00 _h : Output "open" if condition = true	FF _h	
CRC							
7 _h	3 _h ...0 _h	1C _h	CRC CHECK	uint32	CRC32 on all config field with polynom: $X^{32}+X^{26}+X^{23}+X^{22}+X^{16}+X^{12}+X^{11}+X^{10}+X^8+X^7+X^5+X^4+X^2+X^1+X^0$		

POSSIBLE COMBINATION AND TYPICAL DISTANCE - RLS-1301-320

Transponder type	S_{max}	S_0	D_0
Ø 9 RTP-0090-020	16	5	22
Ø 20 RTP-0201-020	26	10.5	31
Ø 26 RTP-0263-020	34	15.5	37
Ø 30 RTP-0301-020	36	15.5	41
Ø 50 RTP-0501-020	47	20	54
Ø 50 RTP-0502-022	60	27.5	65



AVAILABLE TYPES

Part number	Part reference	Ø	Mounting	Connection
720 100 207	RLS-1301-320	M30	Non-embeddable	M12 4-pin

Operators of the products we supply are responsible for compliance with measures for the protection of persons. The use of our equipment in applications where the safety of persons might be at risk is only authorized if the operator observes and implements separate, appropriate and necessary measures for the protection of persons and machines. Terms of delivery and rights to change design reserved.